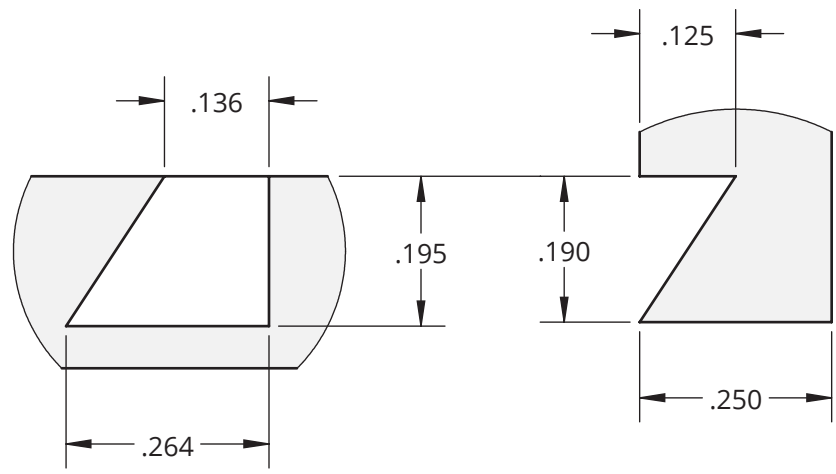


All leading edges of tab to be chamfered. Optionally, chamfer leading edges of slot.



Male and Female Dovetail Joint Suitable for 3D Printing

Rev. 0

Eiki Martinson, November 2012
<http://eikimartinson.com>